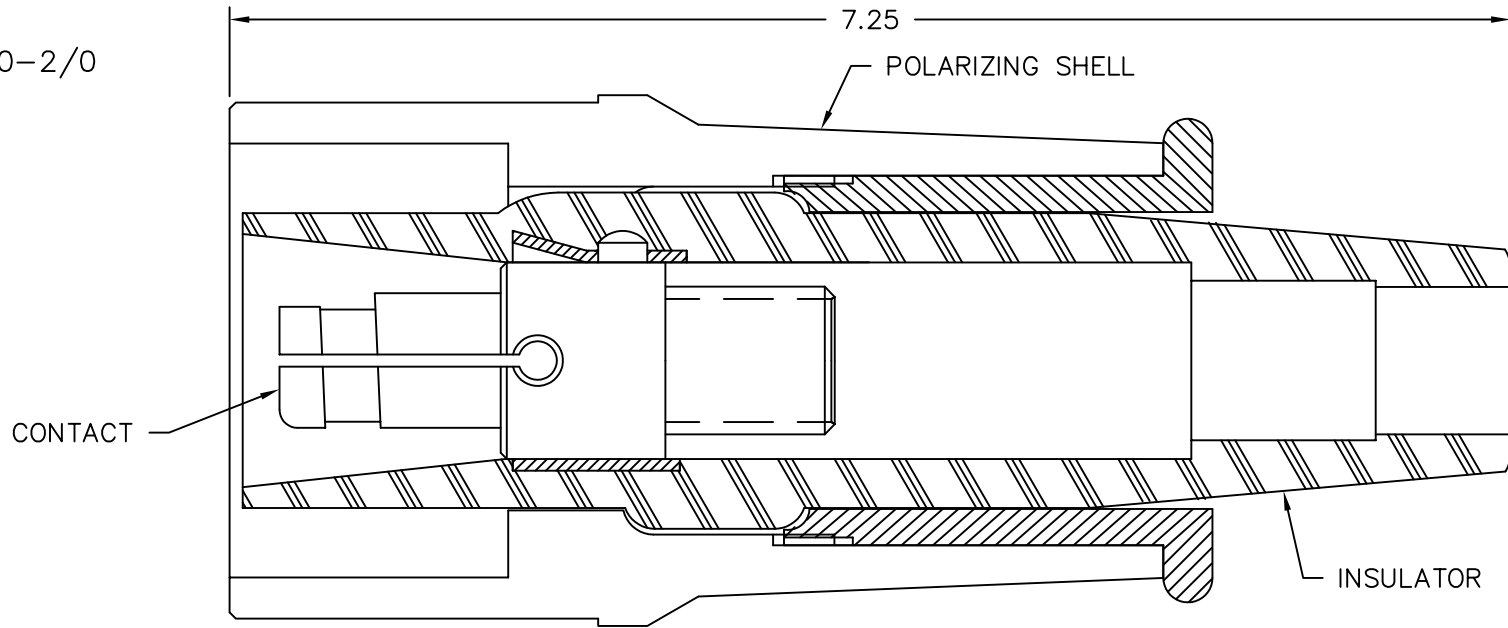


E0400-U


| REVISIONS | | |
|-----------|-----------------|----------|
| REV | DESCRIPTION | DATE |
| A | INITIAL RELEASE | 10/20/10 |

MAX ELECTRICAL RATING:
 600 VOLTS
 300 AMPS
 CABLE SIZE: 1/0-2/0



| PART NO. | POL. NO. | COLOR |
|-----------|----------|--------|
| E0400-141 | #1 | GREEN |
| E0400-142 | #2 | WHITE |
| E0400-143 | #3 | BLACK |
| E0400-144 | #4 | RED |
| E0400-145 | #5 | BLUE |
| E0400-146 | #5 | BROWN |
| E0400-147 | #4 | ORANGE |
| E0400-148 | #3 | YELLOW |

CUSTOMER DRAWING
 FOR REFERENCE ONLY

| | | | | |
|---|--|--------------------|---|-------|
|  | 4758 Washington Street LaGrange, NC 28551 | | TITLE: E0400 MALE PLUG ASSEMBLY WITH CRIMP STYLE CONTACT | |
| | SIMILAR TO/REPLACES | DR. BY: R. EUBANKS | SCALE: N/A | SHT 1 |
| DRAWING SIZE A | | DATE: 10/20/10 | DWG. NO. E0400-U | OF 1 |
| ACAD DIR=CUST DWG | | ACAD FILE=E0400-U | | 1 |

TOLERANCES UNLESS OTHERWISE SPECIFIED
 DECIMAL: .X ±.03 .XX ±.015 .XXX ±.005
 ANGLES ± 1/2° FRACTIONS ± 1/64"

THIS DOCUMENT CONTAINS CONFIDENTIAL AND TRADE SECRET INFORMATION WHICH IS THE PROPERTY OF COOPER INTERCONNECT, A DIVISION OF COOPER INDUSTRIES, INC. AND RECEIPT OR POSSESSION DOES NOT CONVEY ANY RIGHTS TO LOAN, SELL, OR OTHERWISE DISCLOSE SAID INFORMATION. REPRODUCTION OR USE OF SAID INFORMATION FOR ANY PURPOSE OTHER THAN THAT IN CONNECTION WITH WHICH SAID INFORMATION WAS SUPPLIED MAY NOT BE MADE WITHOUT EXPRESS WRITTEN PERMISSION OF COOPER INTERCONNECT. THIS DOCUMENT IS TO BE RETURNED TO COOPER INDUSTRIES, INC. UPON REQUEST AND IN ALL EVENTS UPON COMPLETION OF THE PURPOSE FOR WHICH IT IS LOANED.